

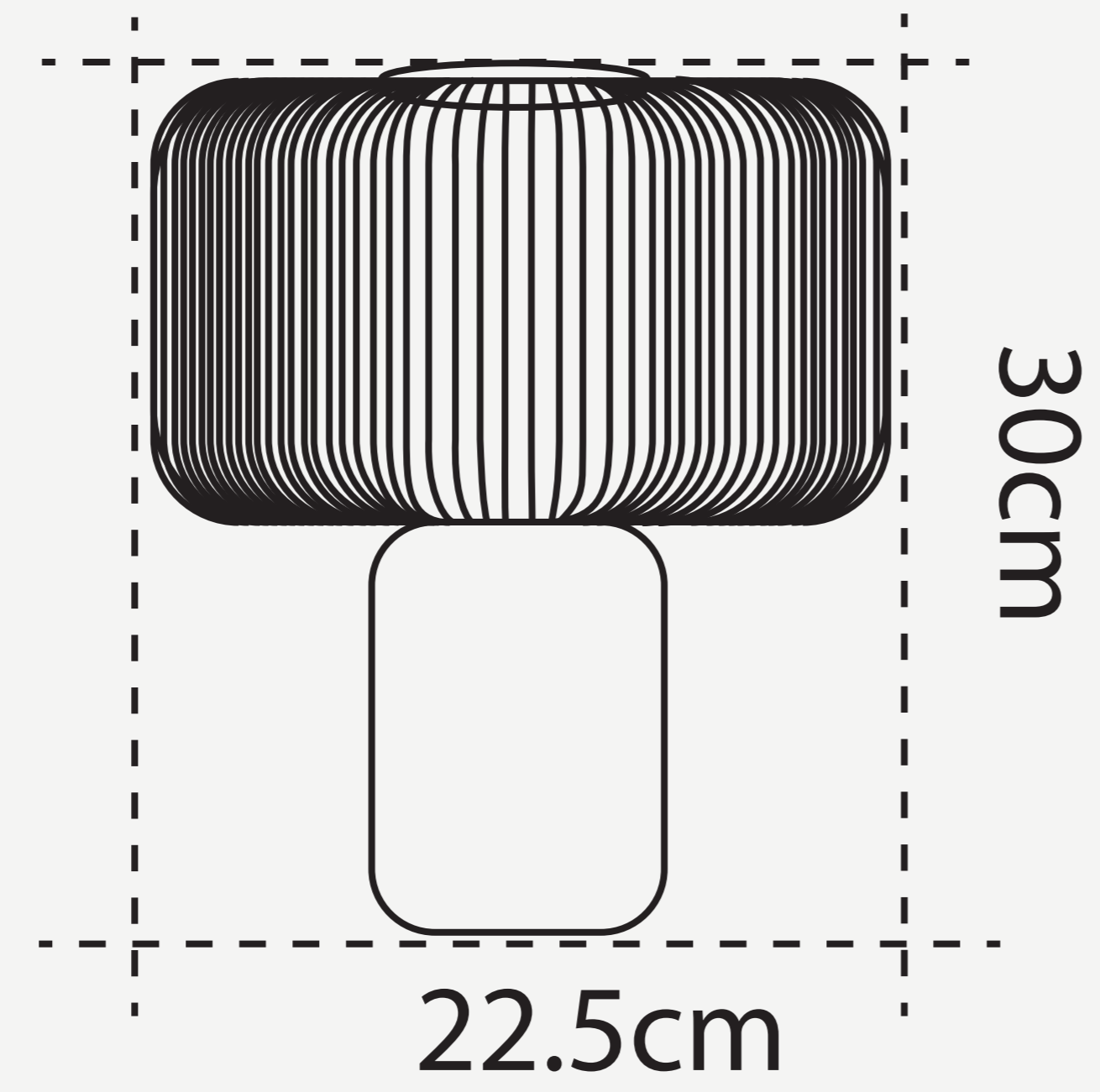
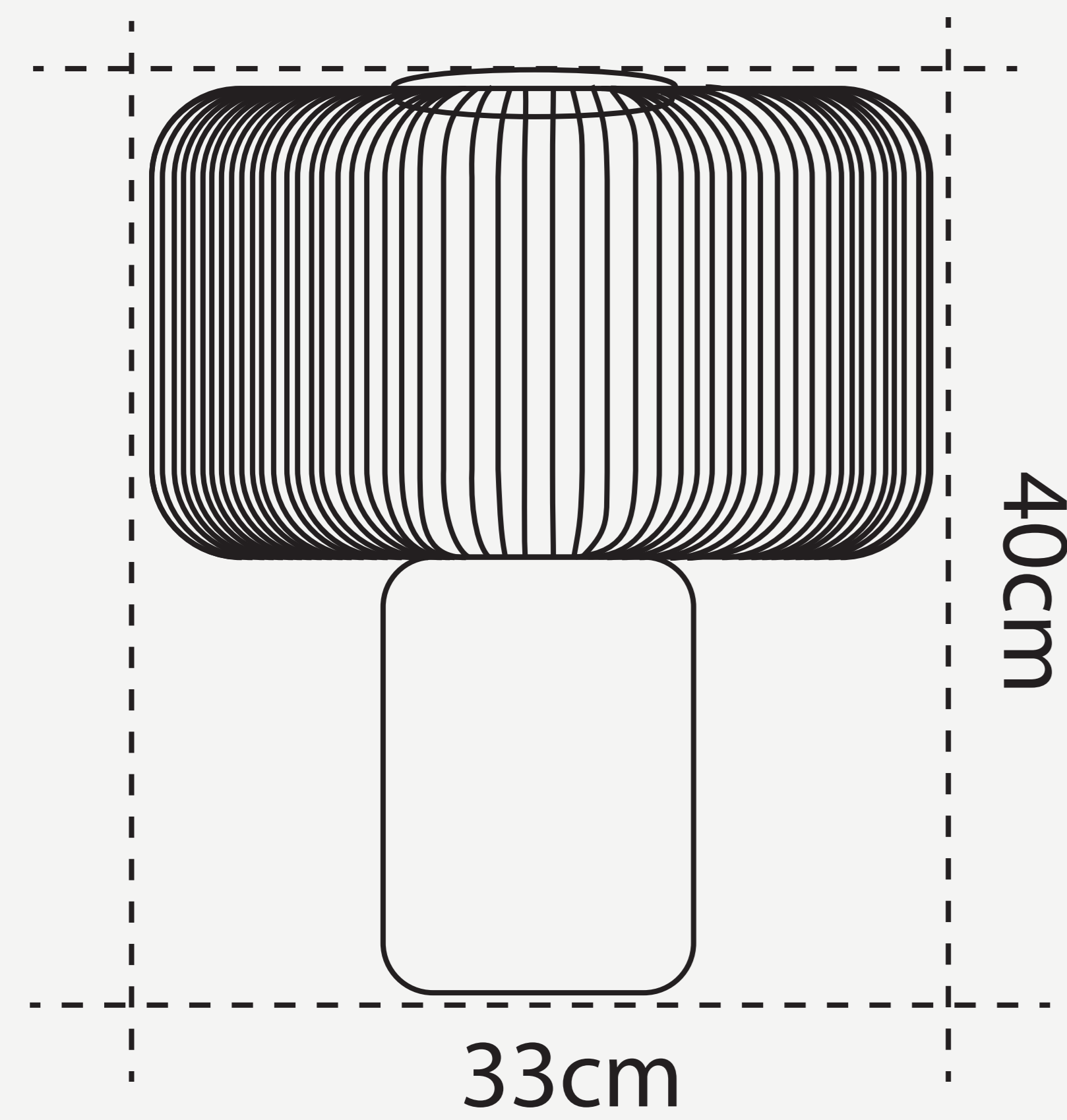
KESHI T BY DAVID ABAD

L O D A M E R



KESHI T BY DAVID ABAD

L O D A M E R



Body Material : Iron
Shade type : Iron
Voltage : 90-260V
Material (s) : Metal
Switch type : Knob switch
Light source : LED bulbs
Power source : AC
Finish : Iron