

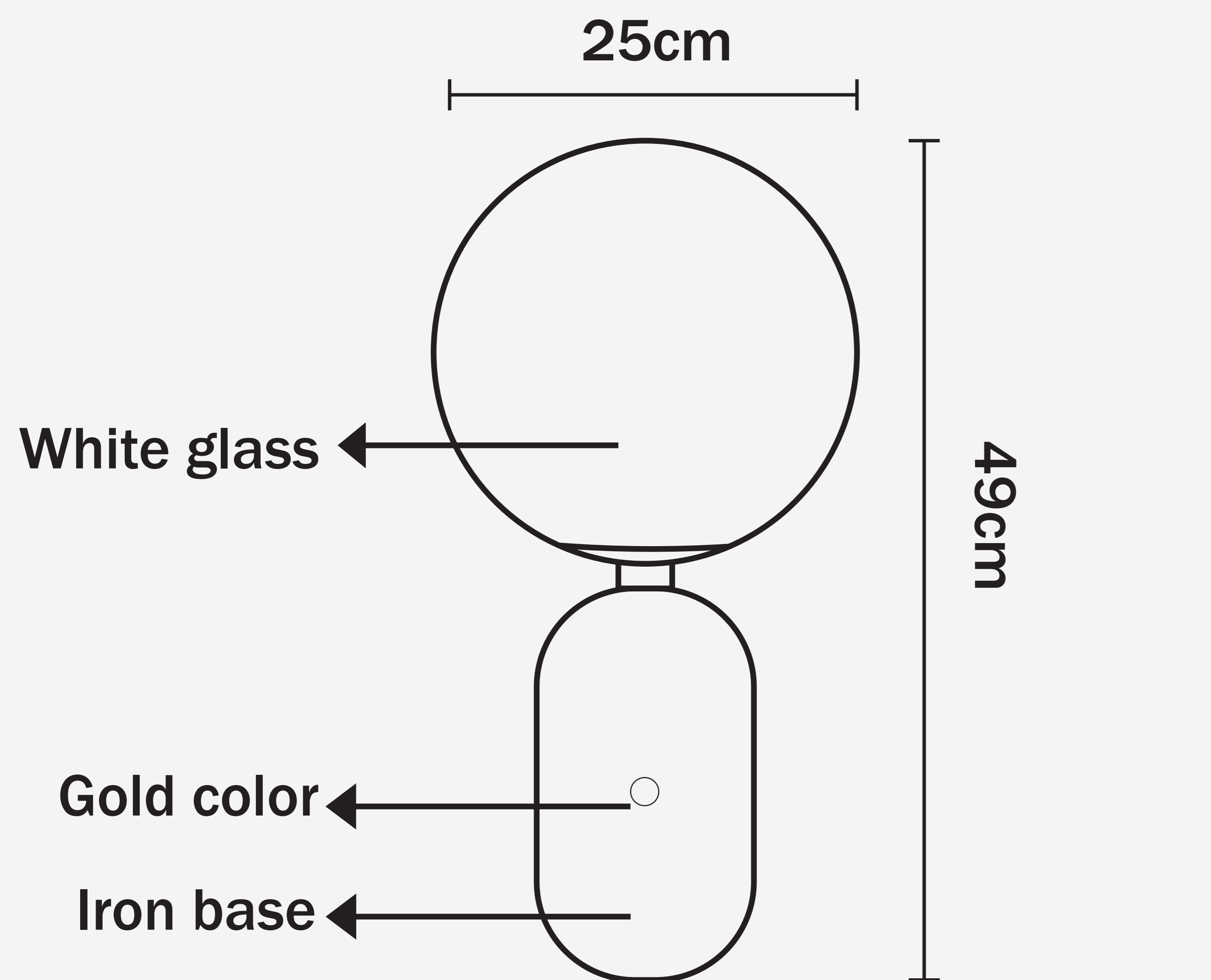
ABALLS M BY JAIME HAYON

L O D A M E R



ABALLS M BY JAIME HAYON

L O D A M E R



Finish :	Iron
Power source :	AC
Body Material :	Iron+Glass
Power :	0-5 W
Voltage :	90-260V
Material (s) :	Metal
Light source :	LED bulbs
Lampshade Color:	Gold & Black
Switch Type:	Touch On/Off Switch
Is Dimmable:	No
Shade Type:	Frosted Glass

